



Macchina LEM-BANDER

Fruit harvesting machine with facilitating belts
- No damages to the fruit thanks to the single belt
- It does not need the bulky rear trailer

BANDER





LEM

Main standard features:

- Lombardini diesel engine type 1003 cv24
- 4 wheel drive
- 4 independent steering wheels with 3 types of steering
- Positioning of the rear wheels in the "center"

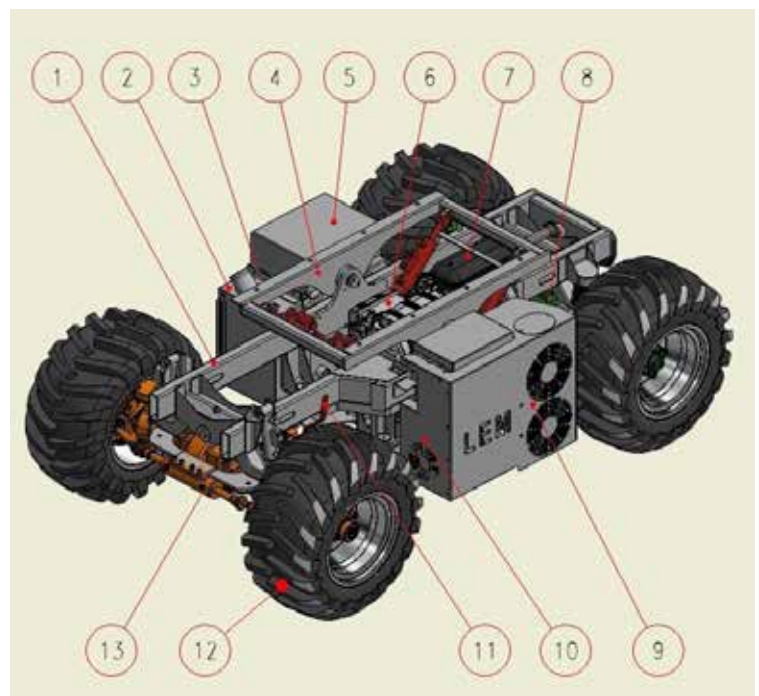
Hydrostatic transmission

4 speeds	I°	0 - 1,5 km/h
	II°	0 - 3,5 km/h
	III°	0 - 5,5 km/h
	IV°	0 - 13 km/h

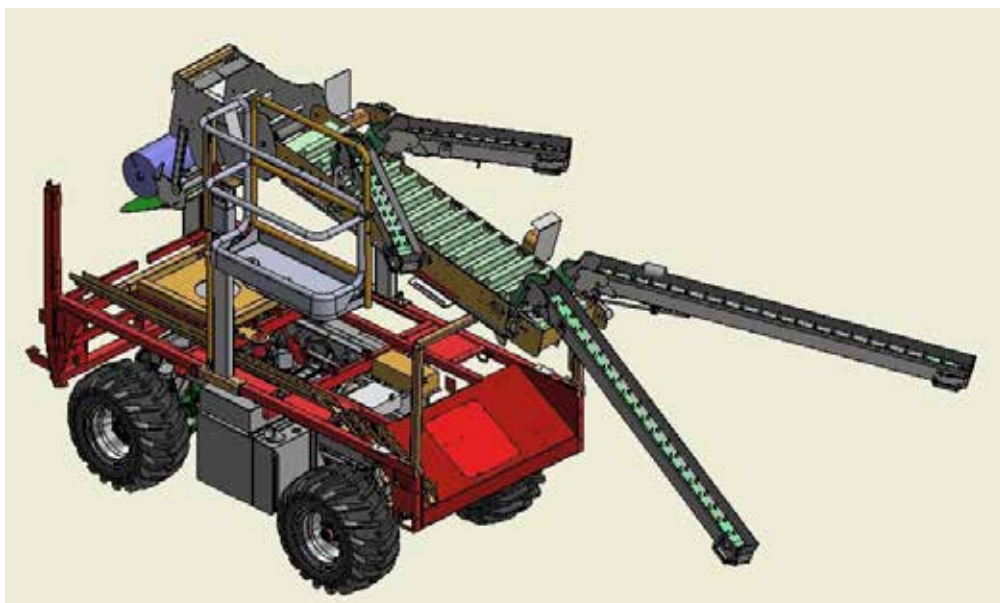
- Automatic longitudinal leveling \pm (18%)
- Automatic transverse leveling \pm (18%)
- Self-locking differentials
- Unlocking wheels for towing
- Automatic double ultrasound guide
- Total curb weight 2.400 kg
- Wheels 100/75 - R13.3

Options:

- 500 lt. electromagnetic compressor
- Wheels 260/70 R16 garden
- Wheels 315/55 R16 mpt



LEM-BANDER



The BANDER can be unmounted from the LEM base in a few minutes and then the PLATTFORM can be mounted for pruning and opening-closing of hail nets. The result is two machines in one.